

发行编号 Publish No. :	LGETA-100223-1090
发布日期 Publish Date:	Feb.23rd,2010
版本号 Edition No. :	REV.0
修订日期 Modify Date:	--

1.额定规格(Specification)

1.1 压缩机(Compressor)

1	压缩机型号名 Compressor Model Name	QJ208HCA
2	压缩机类型 Compressor Type	密封电动机-压缩机 Hermetic Motor Compressor
3	压缩方式 Compression Type	旋转式(滚动转子式) Rotary (Rolling Piston Type)
4	排气量 Displacement	20.8 cc/rev.
5	制冷剂 Refrigerant	R22
6	冷冻机油/注油量 Oil / Oil Charging Amount	SUNISO 4GSI or NM56M / 410 ± 10cc
7	充氮压力 Nitrogen Gas Holding Pressure	0.7 ± 0.2 kg/cm ² G
8	喷涂 Painting	黑色 Black
9	净重(含油) Net Weight (Including Oil)	15.2 kg
10	吸气管内径 Suction Tube I.D.	Φ 12.8 ^{+0.15} / ₀ mm
11	排气管内径 Discharge Tube I.D.	Φ 9.7 ^{±0.15} mm

1.2 电机(Motor)



1	电机类型/启动类型 Motor Type / Starting Type	单相感应电机/PSC Single Phase Induction Motor / PSC	
2	电极/额定输出 Pole / Rated Output	2极(POLE) / 950[W]	
3	电源 Power Source	单相 (1 PH) 220V~ 50Hz	
4	额定转速 Rated Revolution	2,917 rpm	
5	绝缘等级 Insulation Class	E 级(CLASS)	
6	绕线电阻(75℃) Winding Resistance (at 75℃)	主绕组(Main)	3.30 ± 7 % [Ω]
		副绕组(Sub)	3.43 ± 7 % [Ω]

发行编号 Publish No. :	LGETA-100223-1090
发布日期 Publish Date:	Feb.23rd,2010
版本号 Edition No. :	REV.0
修订日期 Modify Date:	--

1.3 性能(Performance)

额定性能(Rated Performance)

电 压 Voltage	at 220 V
制冷量 Cooling Capacity (95%↑)	3,546 W (12,100 Btu/h)
输入功率 Power Input (105%↓)	1,110 W
E.E.R (95%↑)	3.19 W/W (10.9 Btu/W·h)
工作电流 Running Current	5.3 [A]
堵转电流 Locked Rotor Ampere	29.0 [A]
噪音 Noise (Sound Pressure Level)	65 dB (A) ↓
振动 Vibration / 加速度 Acceleration	200 μ m / 2,000 gal ↓

* BASE ON ASHRAE TEST CONDITION

1.4 启动性能(Starting Performance)

启动 Starting Condition	启动电压 Starting Voltage	压力条件 Pressure Condition
标准启动 at Normal Condition	额定电压的80% start at 80% of Rated Voltage (176 V)	Ps/Pd= 5.34/20.86 kg/cm ² G
超负荷启动 at Overload Condition	额定电压的 85% start at 85% of Rated Voltage (187 V)	Ps/Pd= 6/26 kg/cm ² G

※ 制冷量测试工况(Rating Conditions)

☞ 标准工况 (Standard Conditions)

Cond. Temp. : 54.5 °C (130 °F)

Evap. Temp. : 7.2 °C (45 °F)

Return Gas Temp. : 35.0 °C (95 °F)

Liquid Temp. : 46.1 °C (115 °F)

Ambient Temp. : 35.0 °C (95 °F)

☞ 过负荷工况 (Overload Conditions)

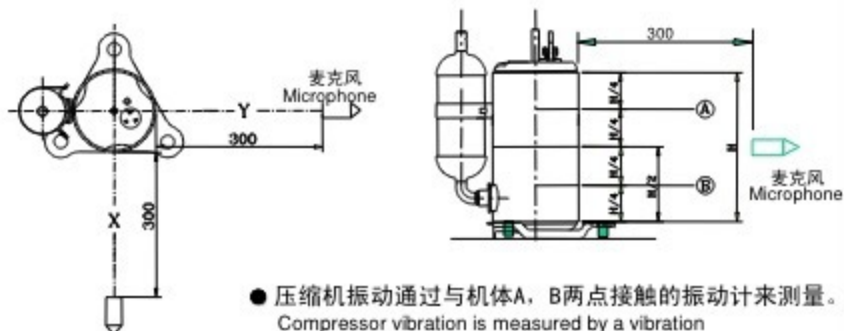
Cond. Temp. : 65.0 °C (149 °F)

Evap. Temp. : 13.0 °C (55.4 °F)

Return Gas Temp. : 25.0 °C (77 °F)

Ambient Temp. : 43.0 °C (109.4 °F)

噪音与振动测量点 Noise & Vibration Measuring Points



发行编号 Publish No. :	LGETA-100223-1090
发布日期 Publish Date:	Feb.23rd,2010
版本号 Edition No. :	REV.0
修订日期 Modify Date:	--

1.5 其它 (Others)

泄漏强度压力 Leak Tight Pressure	高压端 High Pressure Side	28 kg/cm ² G
	低压端 Lower Pressure Side	- kg/cm ² G
液压强度压力 Hydrostatic Strength Pressure	高压端 High Pressure Side	155 kg/cm ² G
	低压端 Lower Pressure Side	50.6 kg/cm ² G
绝缘电阻 (采用 DC 500V Mega测试仪) Insulation Resistance (with 500V D.C Mega Tester)		50 M Ω Min.
耐电压 Withstand Voltage		1,800V 下 1分钟 (2,200V 下 1秒钟) 泄漏电流小于 5mA at 1,800V - 1 min. (2,200 V - 1 sec.) Leakage Current is less than 5mA.
残余水分量/残余污物量 Residual Moisture / Residual Impurities		最大 60mg / 最大 70mg 60 mg Max. / 70 mg Max.

1.6 电气零件 (Electrical Component)

零件名(Part Name)	规格 (Specification)
运转电容(RUNNING CAPACITOR)	30MFD, 400 VAC
过载保护器(O.L.P)	 内置

2. 部件清单 (Delivered Parts List)

部 件 名 Parts Name	类 型 (型号) Type (Model)	数 量 Quantity	部件图纸号码 (LG) Parts Dwg. NO.(LG)	提 供 Supply	
压缩机(COMPRESSOR ASSY)	QJ208HCA	1	-	<input checked="" type="radio"/>	<input type="radio"/>
过载保护器(O.L.P)	14HM1052-200(内置)	1	内置	<input checked="" type="radio"/>	<input type="radio"/>
接线保护盒(COVER TERMINAL)	-	1	3550UTL005A	<input checked="" type="radio"/>	<input type="radio"/>
保护盒衬垫(GASKET)	-	1	4986UTL004B	<input checked="" type="radio"/>	<input type="radio"/>
六角法兰螺母(NUT,DRAWING)	-	1	1NZZUTL001A	<input checked="" type="radio"/>	<input type="radio"/>
平垫圈(WASHER DRAWING)	-	1	1WZZUTL001A	<input checked="" type="radio"/>	<input type="radio"/>
防震胶垫(GROMMET)	-	3	4022UTL002B	<input checked="" type="radio"/>	<input type="radio"/>
安装螺钉(BOLT,DRAWING)	-	3	1BZZUTL003B	YES	<input type="radio"/>
垫圈(WASHER DRAWING)	-	3	1WZZUTL002D	YES	<input type="radio"/>
安装螺母(NUT DRAWING)	-	3	1NZZUTL002A	YES	<input type="radio"/>
螺栓护套 (HOUSING,BOLT)	-	-	-	YES	<input type="radio"/>

※ 参考附录 (附件图) Refer to Attachments (Accessory Parts Drawings.)

发行编号 Publish No. :	LGETA-100223-1090
发布日期 Publish Date:	Feb.23rd,2010
版本号 Edition No. :	REV.0
修订日期 Modify Date:	--

3.使用界限 (Operating Limit)

排气压力[kg/cm ² G] Discharge Pressure	26.5 MAX
吸气压力[kg/cm ² G] Suction Pressure	1.0~7.0
电机绕组温度[°C] Motor Coil Temp.	135 MAX

制冷剂注入量[g] Refrigerant Charge Limit	1,300g ↓ (Split Type for Heat Pump) (若冷媒量超过规格值,压缩机出现异常, LG不承担责任) If refrigerant charge exceed max. LG Company would NOT answer for the consequences when compressor is abnormal.
回流液体 Continuous Flood Back	储液器前的回流液体量不应超过制冷循环系统中制冷剂总量的10% Continuous Flood Back before the accumulator should not be more than 10% of the total circulation quantity of refrigerant.
开 / 停 间歇与次数 On/Off Interval & Cycles	间歇: 开 / 停 = 3分钟 / 3分钟 次数: 20,000次以下 On / Off = 3 Minutes / 3 Minutes 20,000 Cycles or less
电压范围 Voltage Range	额定电压 ± 10% Rated Voltage ± 10 %
频率范围 Frequency Range	额定频率 ± 2% Rated Frequency ± 2 %
运转时压力差 Pressure Difference in Operating	运转时压力差应在0.49MPa以上,但3分钟启动的情况除外 The Pressure Difference in operating shall be 0.49 MPa or more, but 3 minutes starting excluded.
启动时压力差 Pressure Difference at Starting	启动时, 排气压力与吸气压力相平衡 When starting, discharge pressure is balanced with suction pressure.
倾斜 Tilt in Operation	使用时, 压缩机的倾斜角度应在5° 以内 The allowable tilt of the compressor in operation shall be 5° or less

发行编号 Publish No. :	LGETA-100223-1090
发布日期 Publish Date:	Feb.23rd,2010
版本号 Edition No. :	REV.0
修订日期 Modify Date:	--

4.产品标签 (Label)



※ 本文件有效期

Effective Period of This Document

本文件有效期始于我公司接到贵公司承认签字之时, 终于设计变更被顾客承认之时。

This document will be effective after LG's receipt with your authorized signature.

When design modification is approved by the customer, the current document is unavailable.

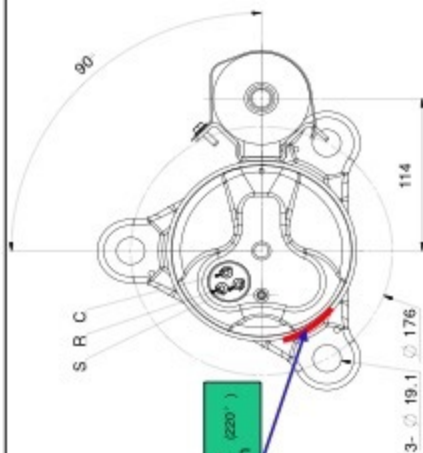
发行编号 Publish No. :	LGETA-100223-1090
发布日期 Publish Date:	Feb.23rd.2010
版本号 Edition No. :	REV.0
修订日期 Modify Date:	--

附 页

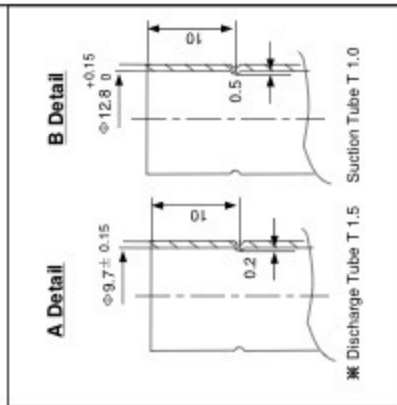
Attachment

- | | | | |
|----|------------------------------|---|---------|
| 1. | 压缩机外形图
Compressor Drawing | : | A-1 |
| 2. | 电气接线图
Wiring Diagram | : | A-2 |
| 3. | 附件安装图
Accessory Fitting | : | A-3 |
| 4. | 附件图
Part Drawings | : | A-4~A-8 |

发行编号 Publish No. :	LGETA-100223-1090
发布日期 Publish Date:	Feb. 23rd, 2010
版本号 Edition No. :	REV. 0
修订日期 Modify Date:	—



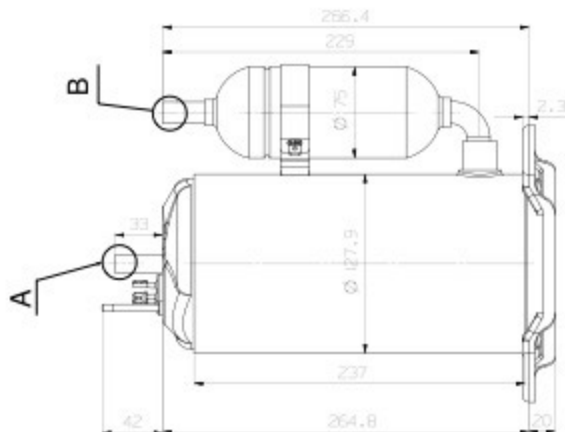
标签粘附位置
(Label position)



※ Discharge Tube T 1.5 Suction Tube T 1.0

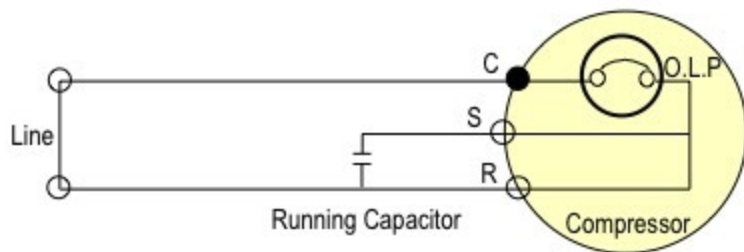
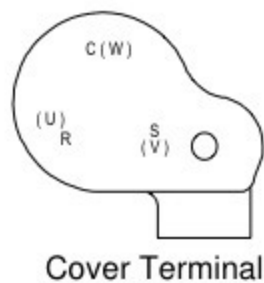
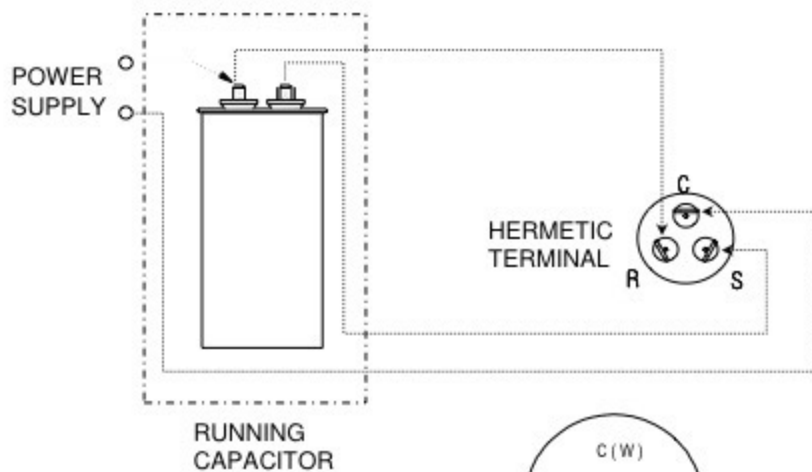
注释 (Remark) :

1. 喷涂 PAINTING: 黑色(电泳涂装) BLACK PAINT (ELECTRO DEPOSITION)
2. 冷冻机油 OIL : 4GSI / NM56M 410 ± 10CC.
3. 干燥后充氮气 NITROGEN CHARGED AFTER DEHYDRATION



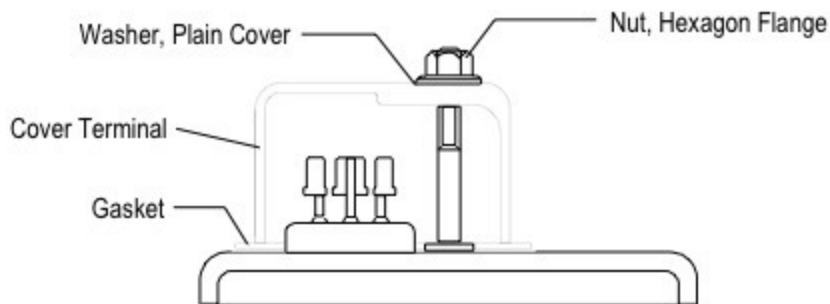
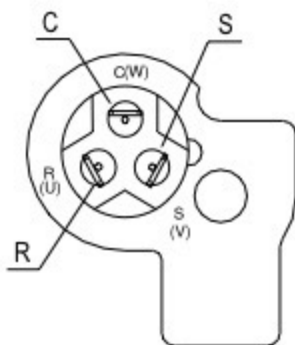
UNIT	mm	SCALE	N/S	PART NAME	COMPRESSOR OUT-LINE
DES. ENGR.		CHF. ENGR.			
2010.02.23		2010.02.23			
Z. C. CHEN		Ahn Ji Yong			
LG Electronics(Tianjin) Appliance Co.,Ltd.		CUSTOMER 广东美的		P/N.O.	QJ208HCA

Wiring diagram

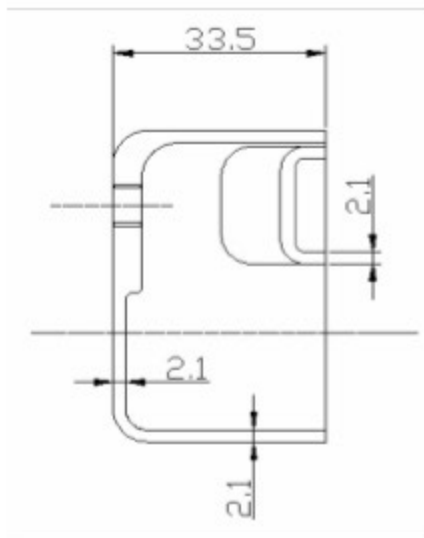
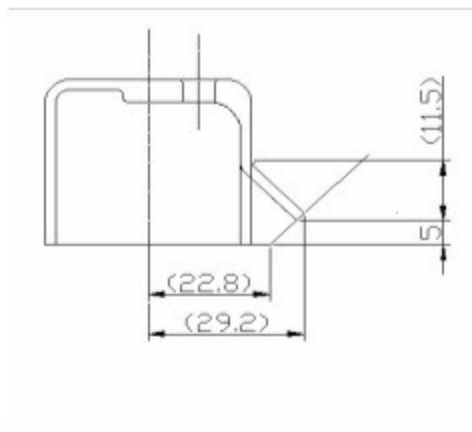
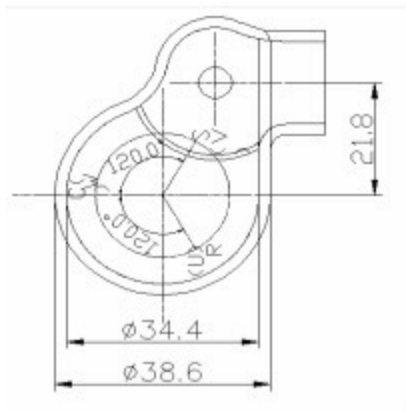


C,S,R Mark Embossed on Cover Terminal

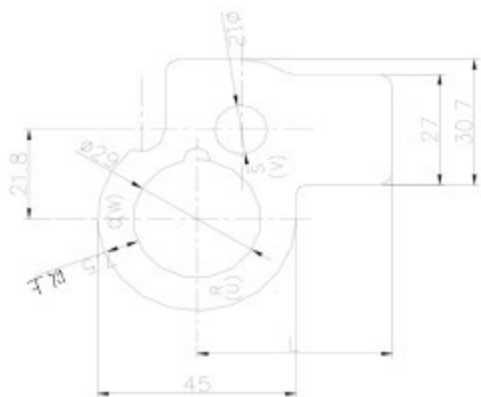
Accessory Fitting



C,S,R Mark Embossed on Cover Terminal

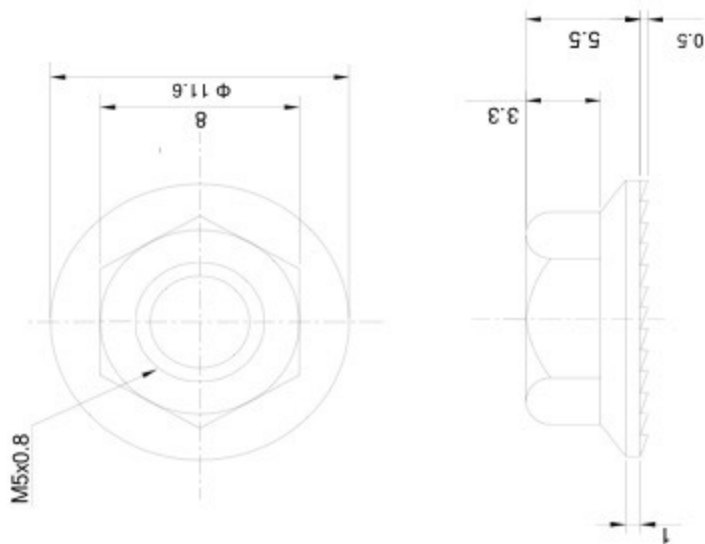


UNIT	mm	SCALE	N / S
DES. ENGR.	Z. C. CHEN	CHF. ENGR.	Ahn Ji Yang
2010.02.23		2010.02.23	
LG Electronics (Tianjin) Appliance Co., Ltd		CUSTOMER 广东美的	
COVER, TERMINAL			
3550UTL005A			



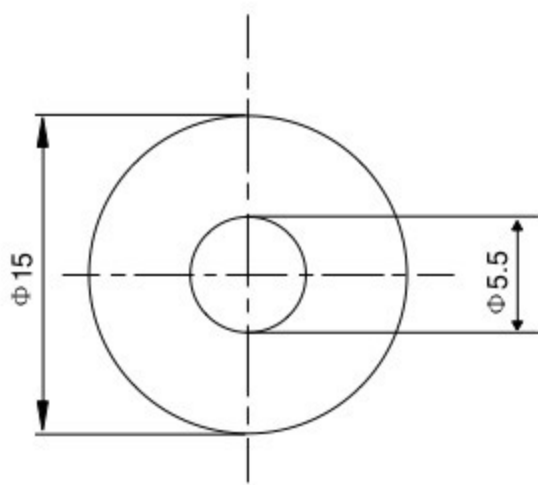
DIV	T(Thickness)	MATERIAL	Remark	L
B	1.0 ^{+0.2}	EPDM	Marks (C (W) , R (U) , S (V))	57.2

UNIT	mm	SCALE	N / S	GASKET	
DES. ENGR.	Z. C. CHEN	CHF. ENGR.	Ahn Ji Yong	4986UTL004B	
	2010.02.23		2010.02.23		
LG Electronics(Tianjin) Appliance Co.,Ltd		CUSTOMER		广东美的	



* MATERIAL : STEEL (ELECTRIC PLATING OF ZINC)

UNIT	mm	SCALE	N / S	NUT, DRAWING	
DES. ENGR.		CHF. ENGR.			
	2010.02.23		2010.02.23		
Z. C. CHEN		Ahn Ji Yong			
LG Electronics (Tianjin) Appliance Co., Ltd			CUSTOMER 广东美的		
1NZZUTL001A					

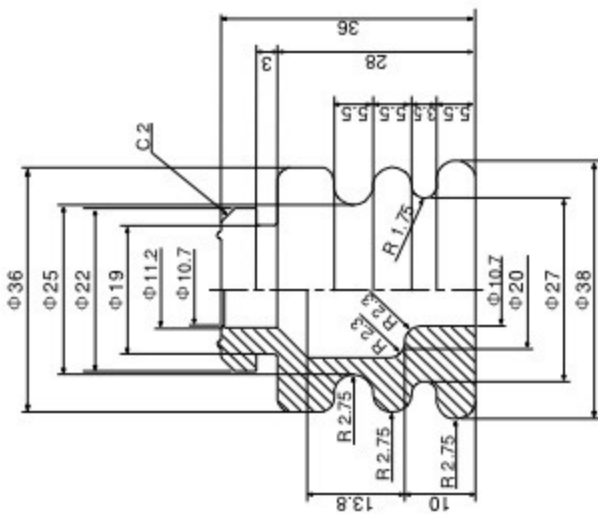


* MATERIAL : POLYAMIDE (NYLON)

UNIT	mm	SCALE	N / S
DES. ENGR.		CHF. ENGR.	
2010.02.23		2010.02.23	
Z. C. CHEN		Ahn Ji Yong	
LG Electronics(Tianjin) Appliance Co.,Ltd		CUSTOMER 广东美的	

WASHER, DRAWING

1WZZUTL001A



* MATERIAL : NATURAL RUBBER

UNIT	mm	SCALE	N / S
DES. ENGR.		CHF. ENGR.	
2010.02.23		2010.02.23	
Z. C. CHEN		Ahn Ji Yong	
LG Electronics(Tianjin) Appliance Co.,Ltd		CUSTOMER 广东美的	
GROMMET			
4022UTL002B			